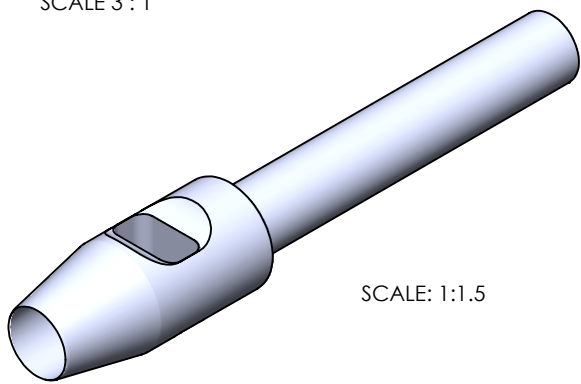
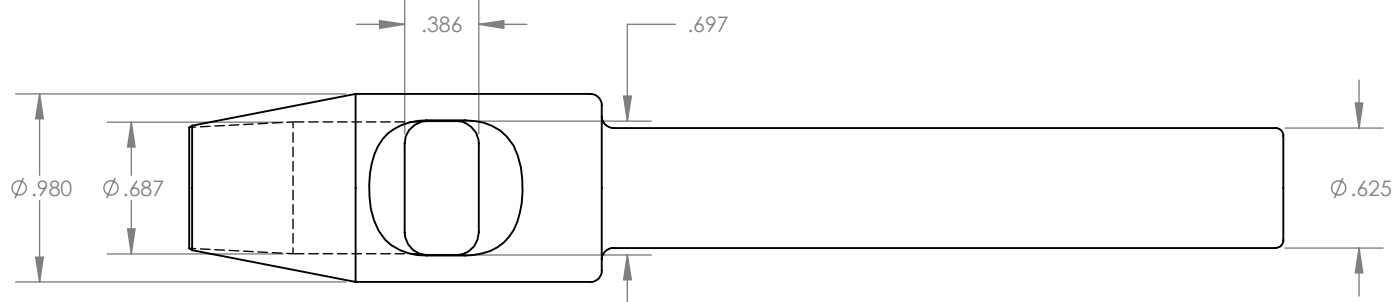



DETAIL A  
SCALE 3 : 1



SCALE: 1:1.5

UNLESS OTHERWISE SPECIFIED: DIMENSIONS ARE IN INCHES			TOLERANCES: X.XX= ±0.13 X.XXX= ±0.031 X.XXXX= ±0.0015		 <p>The Global Source for Stainless Steel Tools</p>
DRAWN	NAME	SIGN	DATE		
APPVD	A.T.		08.26.19		
MATERIAL:			420 MAGNETIC S.S.		TITLE: 16.0MM STAINLESS STEEL HOLE PUNCH
THIS DRAWING IS THE PROPERTY OF STERITOOL, INC. ANY REPRODUCTIONS OR MODIFICATIONS OF THIS DRAWING OR ITS CONTENTS WITHOUT THE CONSENT OF STERITOOL, INC. IS PROHIBITED.					PART NO. 50116
SCALE: 1:1			SHEET 1 OF 1		REV: A